

EX320U-ST

For education and business



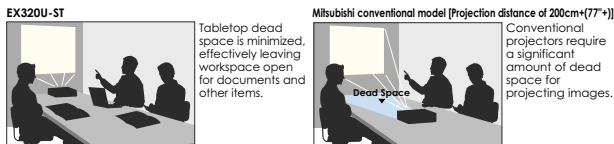
Short-throw projector for flexible installation in small working environments

Fully Featured

Short Throw Projection

Using a projector in small classrooms and meeting rooms used to be difficult due to insufficient projection distances. Not any more! The EX320U-ST requires a mere 74cm for the projection of clear and concise images which are approximately the size of a 60-inch whiteboard. It can be set on the edge of a tabletop, eliminating the loss of workspace commonly caused by the need to clear a path for the projection light.

Projected Image comparison (with 60-inch screen)



Advanced Network Management



3D READY - Enjoy the future today

Experience the impact and allure of 3D images. The 3D video content must be in field sequential format and special electronic shutter glasses are required.



- Top-loading lamp
A lamp replacement attachment is included to prevent the lamp from being dropped during replacement.
- Long 5,000hr Lamp Life
By increasing the estimated lamp life, we've reduced maintenance and operating costs.
- Stand-by Mode under 1W
When LAN control is set to RS-232C, and "Stand-by Audio Out" and "Stand-by Monitor Out" are set to "Off."
- 2700lm brightness
- Silent 28dB Operation (Low Mode)
- Wall Screen
- Direct Power Off
- Dual RGB Input Terminal
- Audio Pass Through



Top-loading lamp

Brighter display solutions

NEW

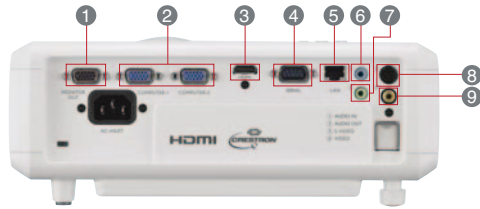


EX320U-ST

Mobile XGA Projector

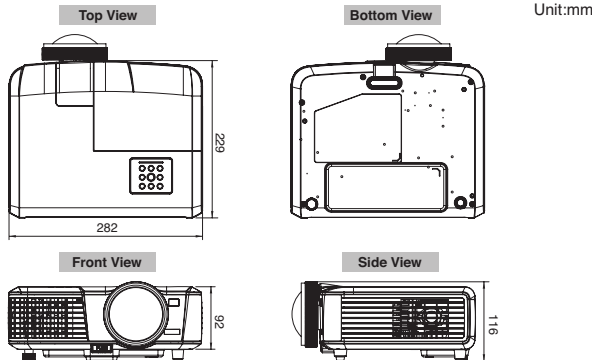
Short Throw Projection	Brilliant Color™	Wall Screen	Password Lock	Direct Power Off	Long-life Lamp	Picture Performance
Low Standby Power	Top Loading Lamp	Closed Caption	Low Fan Noise	LAN (RJ-45)	HDMI	User Friendly

Input and Output Terminals



- | | | |
|----------------------------|------------------|----------------|
| 1 Monitor output | 4 Serial RS-232C | 7 Audio output |
| 2 PC/Component video input | 5 LAN (RJ-45) | 8 S-Video |
| 3 HDMI | 6 Audio input | 9 Video |

Dimensions



for a greener tomorrow

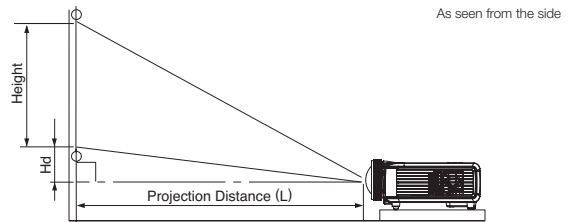
Eco Changes is the Mitsubishi Electric Group's environmental statement, and expresses the Group's stance on environmental management. Through a wide range of businesses, we are helping contribute to the realization of a sustainable society.

Specifications

Model	EX320U-ST
Display Technology	0.55" 1-Chip DMD
Resolution	1024 x 768 (Total 786,432 pixels)
Brightness	2700lm
Contrast Ratio	2000 : 1
Picture Size*1	40" - 300"
Throw Ratio*1	0.608
Source Lamp	170W (5000hr*2) with Low Mode, 230W (3500hr*2) with Standard Mode
PC Compatibility	640 x 480 - 1600 x 1200, True : 1024 x 768, Sync on Green available
Video Compatibility	NTSC / NTSC 4.43 / PAL (including PAL-M, N) / SECAM / PAL-60 Component Video ; 480i/p (525i/p), 576i/p (625i/p), 720p (750p), 1080i/p (1125i/p 60Hz), 1080i/p (1125i/p 50Hz)
Input Terminals	RGB ; mini D-sub 15pin x 2 Video ; RCA x 1 + S-VIDEO x 1 Digital ; HDMI*3 x 1 Audio ; Stereo mini jack (ø3.5mm) x 1
Output Terminals	RGB ; mini D-sub 15pin x 1 Audio ; Stereo mini jack (ø3.5mm) x 1
Communication Terminal	Serial; D-Sub 9pin x 1 (RS-232C) LAN ; RJ-45 x 1
Speaker Output	2W Mono
Dimensions (W x H x D)	282 x 92 x 229 mm / 11.1 x 3.6 x 9.0 inch (Not including protrusion)
Weight	2.9kg / 6.4lbs
Power Requirements	AC 100-240V, 50/60Hz
Optional Lamp	VLT-EX320LP

- Compliant with ISO21118-2005
- All brand names and product names are trademarks, registered trademarks or trade names of their respective holders.
- *1: Actual values may vary slightly from those listed here.
- *2: Lamp service life varies depending on usage environment and maintenance.
- *3: HDMI, the HDMI Logo, and High-Definition Multimedia Interface are trademarks or registered trademarks of HDMI Licensing LLC in the United States and other countries.

Screen size and Projection distance



Screen size chart (4:3 aspect ratio)

Screen		Distance from screen (L)		Height projected image (Hd)					
Diagonal Size	Width (W)	Height (H)	inch	m	inch	cm			
40	102	32	81	24	61	19	0.5	4	9
60	152	48	122	36	91	29	0.7	5	14
80	203	64	163	48	122	39	1.0	7	18
100	254	80	203	60	152	49	1.2	9	23
120	305	96	244	72	183	58	1.5	11	27
150	381	120	305	90	229	73	1.9	14	34
200	508	160	406	120	305	97	2.5	18	46
250	635	200	508	150	381	122	3.1	23	57
300	762	240	610	180	457	146	3.7	27	69

The above numbers are approximate, and may be slightly different from the actual measurements.

Screen size chart (16:9 aspect ratio)

Screen		Distance from screen (L)		Height projected image (Hd)					
Diagonal Size	Width (W)	Height (H)	inch	m	inch	cm			
40	102	35	89	20	50	21	0.5	7	18
60	152	52	133	29	75	31	0.8	11	27
80	203	70	177	39	100	42	1.1	14	36
100	254	87	221	49	125	52	1.3	18	45
120	305	105	266	59	149	63	1.6	21	55
150	381	131	332	74	187	78	2.0	27	68
200	508	174	443	98	249	105	2.7	36	91
250	635	218	553	123	311	131	3.3	45	114
300	762	261	664	147	374	157	4.0	54	136

The above numbers are approximate, and may be slightly different from the actual measurements.

MITSUBISHI ELECTRIC EUROPE

New publication, effective May 2011 Specifications subject to change without notice.

displays.mitsubishielectric.eu

Brighter display solutions

UK & Middle East + 44 1707 278 684
Germany + 49 2102 4860 9250

Benelux, Eastern Europe & Russia + 31 297 282 461
Spain + 34 935 653 131

France + 33 1 5568 5568
Sweden + 46 8625 10 00

Italy + 39 039 60531